

Single Motor Single Extension V-Shaped Fork Special Telescopic Fork

Basic Information

- Brand Name: HUAHENG

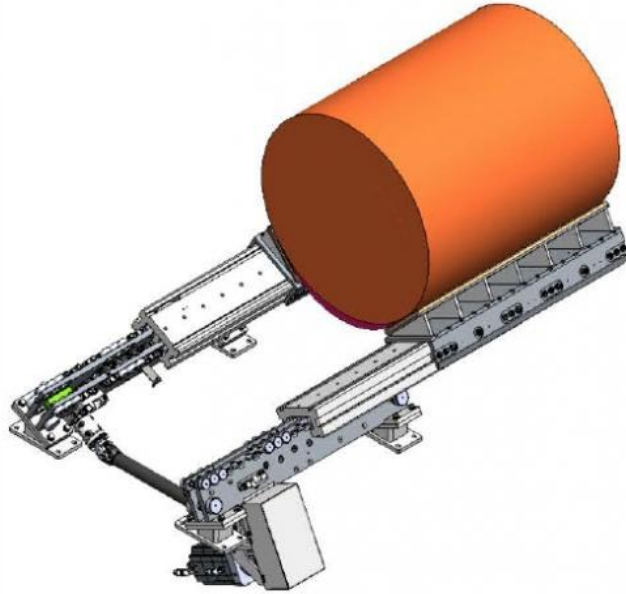


Product Specification

- Available Models: HFTC280x145,HFTC300x160,HFTC250x130
- Type: Special Telescopic Fork
- Load Capacity: 5000kg
- Highlight: **single motor telescopic fork,
single motor extendable forks**

Product Description

The fork adopts a V-shaped structure to ensure that the fork's material collection plate bears positive pressure, thereby achieving stable and reliable material collection. Used for handling large diameter (≥ 500) roll shaped goods, mostly used in the paper industry and metal thin-walled drum industry, with a load capacity of up to 5000kg.



Our Product Introduction

for more products please visit us on huahengautomation.com

HUAHENG Kunshan Huaheng Welding Co., Ltd.

+86 13962665533

huaheng1995@gmail.com

huahengautomation.com

No.99 WuSongJiang Road, KunShan, JiangSu, PR.China PC.215334