

Gantry Type Oxy-fuel Flame Robot Cutting System

Basic Information

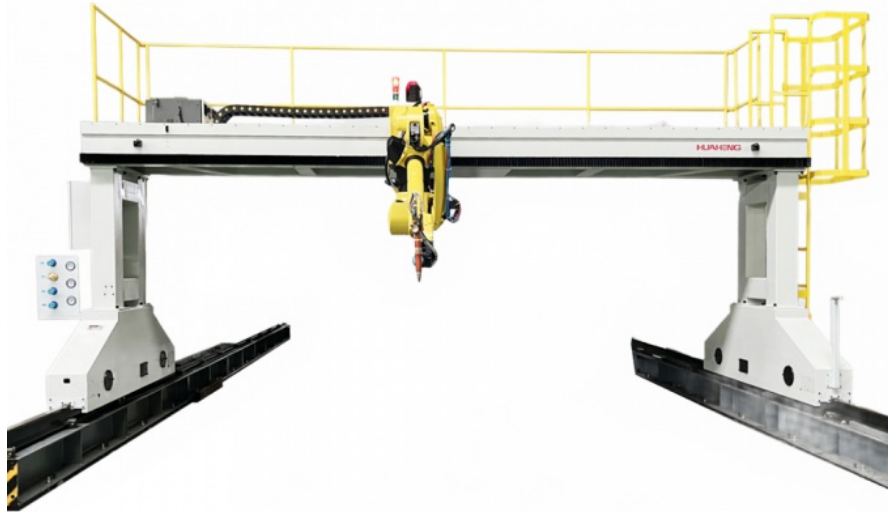


Product Specification

- Type: Gantry Robotic Cutting
- Suitable Material: Steel, mild Steel
- Cutting Axis: 8-axis Linkage
- Cutting Thickness: 3-300mm
- Highlight: **Gantry Type Robot Cutting System,
Oxy fuel Flame Robot Cutting System**

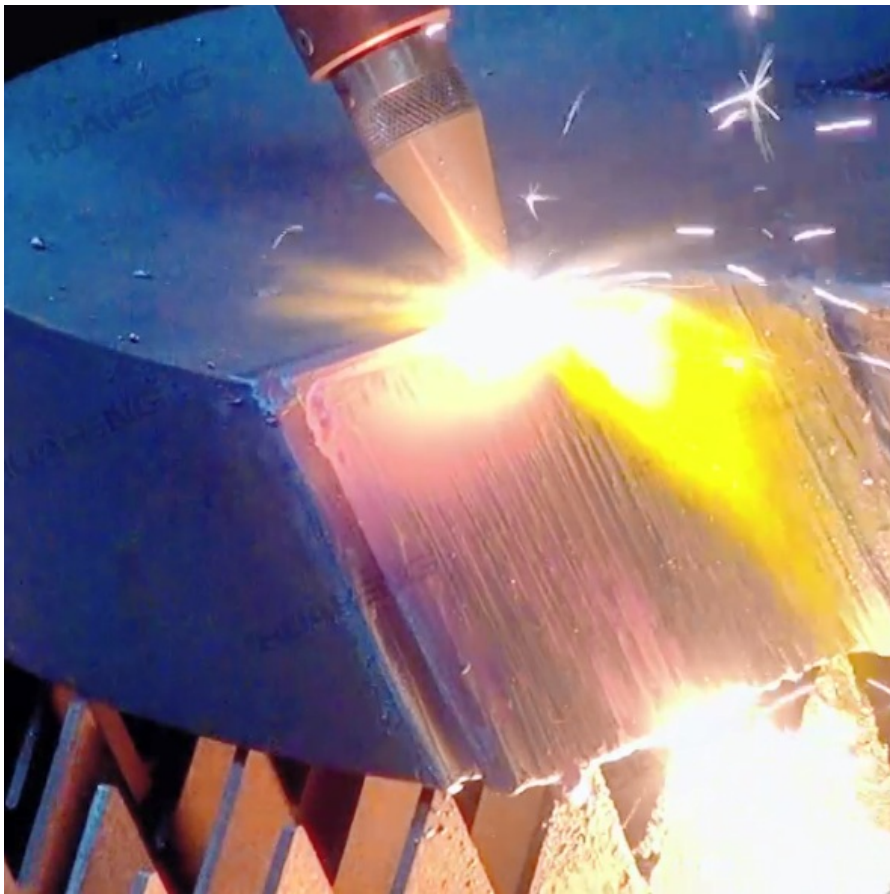
Product Description

Gantry type robot flame cutting system is the intelligent cutting equipment for carbon steel structural parts of armoured steel plate, which is customized and developed by Huaheng according to the special needs of customers. It is able to realise the requirement of fully automatic cutting of workpiece by one program, and the same program is stored and can be called repeatedly to improve the production efficiency.



Material	steel, mild steel
Dimension	600*3500*1200(mm)
Cutting thickness	6-300(mm)
Cutting method	flame cutting

Multi-joint robot + Touch Sensing software package for automatic seam detection for precise, fully automatic cutting. Including flame-cutting torch, flame-cutting gas circuit and control unit, shot-suction type cutting gun, etc., cutting high efficiency, long service life, cutting thickness 3-300mm. Using mortise and tenon structure of the frame and complete the whole box-type beam with high rigidity, high precision, high stability of operation, to ensure that the equipment lasting operational accuracy.





Huaheng gantry-type robot flame cutting system with 8-axis linkage improves the cutting range of workpiece to meet the flexible high-precision cutting of large and complex workpiece. Intelligent robot + high-efficiency flame cutting, the perfect combination of the two, to meet the user a programme to cut five surfaces automatically, the consistency of the cut workpiece can reach more than 99.5%.

HUAHENG Kunshan Huaheng Welding Co., Ltd.

+86 13962665533

huaheng1995@gmail.com

huahengautomation.com

No.99 WuSongJiang Road, KunShan, JiangSu, PR.China PC.215334